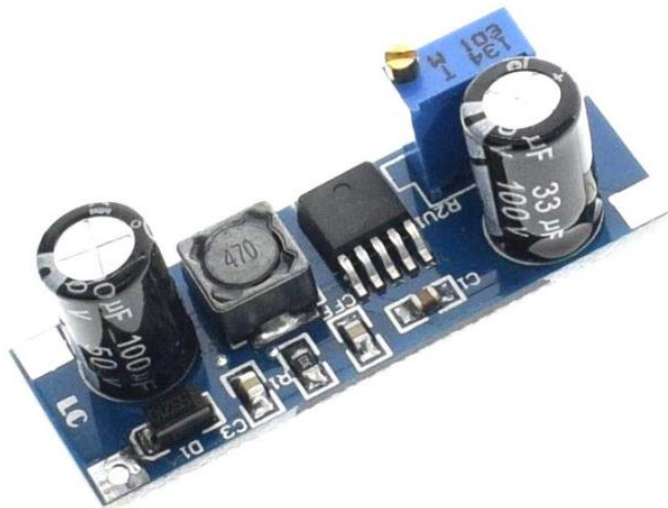




Data Specs

XL7015 Wide Range Input Voltage 5~80V DC-DC Converter

The XL7015 is a 150KHz fixed frequency PWM buck (step-down) DC/DC converter module, capable of driving a 0.8A load with high efficiency, low ripple and excellent line and load regulation. Accept wide range voltage supply of 5~80Vdc for various application need.



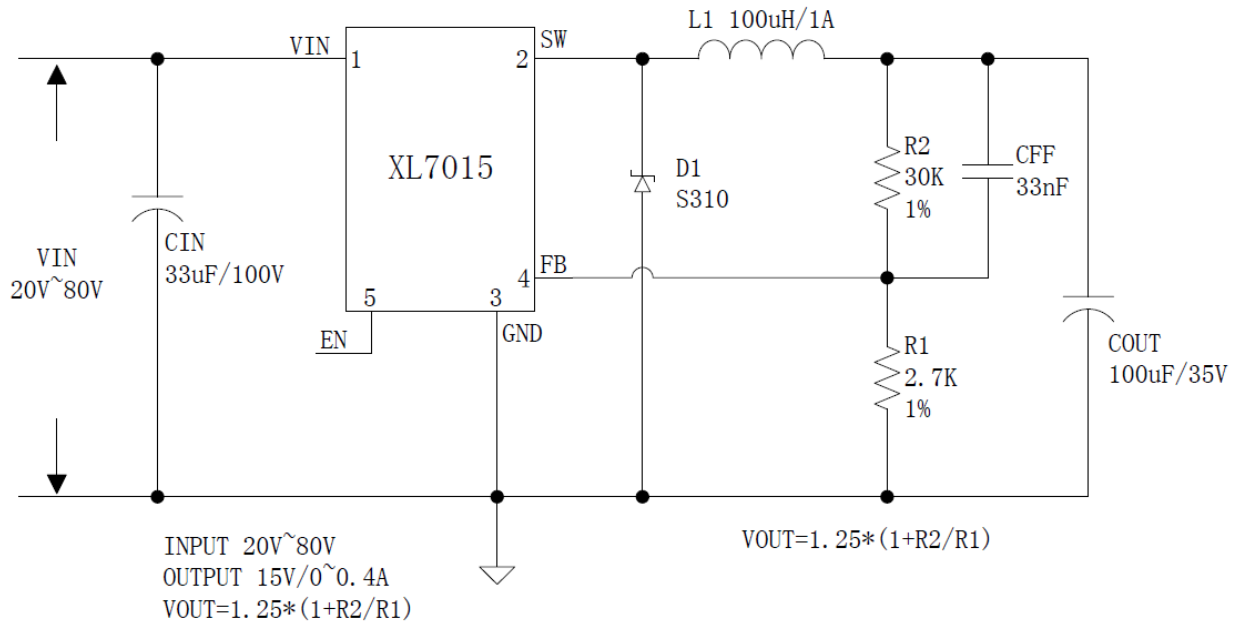
SKU: [PSU1029](#)

Brief Data:

- Input Voltage: 5V~80Vdc.
- Output Voltage: 5~20V (continuously adjustable)
- Output current: 0.8A Max.
- Conversion efficiency: Up to 85%.
- Switching Frequency: 150kHz.
- Module Properties: Non-isolated step-down module (buck converter).
- Short circuit protection: current limiting.
- Load regulation: $\pm 0.5\%$
- Voltage regulation: $\pm 0.5\%$
- Dynamic response speed: 5% 200uS

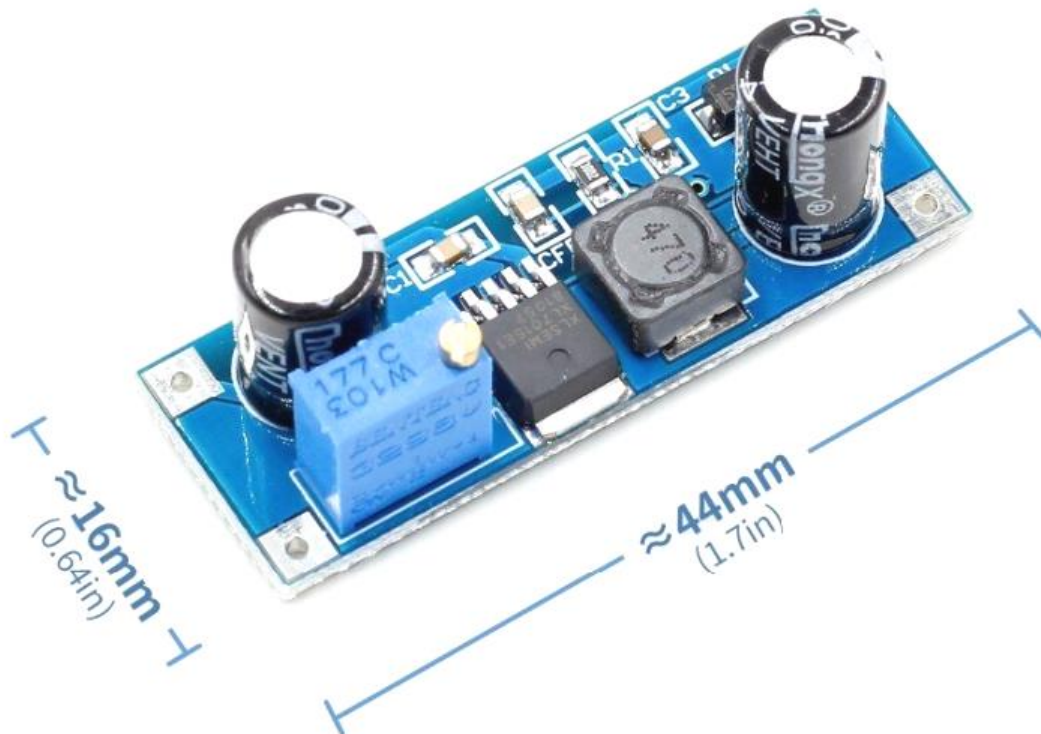
Note that this is step down converter module; input voltage must be higher than output voltage.

Schematic:



Board Dimension:

Unit: mm





Handsontec.com

We have the parts for your ideas

HandsOn Technology provides a multimedia and interactive platform for everyone interested in electronics. From beginner to diehard, from student to lecturer. Information, education, inspiration and entertainment. Analog and digital, practical and theoretical; software and hardware.



open source
hardware

HandsOn Technology support Open Source Hardware (OSHW) Development Platform.

Learn : Design : Share

handsontec.com



The Face behind our product quality...

In a world of constant change and continuous technological development, a new or replacement product is never far away – and they all need to be tested.

Many vendors simply import and sell without checks and this cannot be the ultimate interests of anyone, particularly the customer. Every part sell on Handsotec is fully tested. So when buying from Handsontec products range, you can be confident you're getting outstanding quality and value.

We keep adding the new parts so that you can get rolling on your next project.



www.handsontec.com

[Breakout Boards & Modules](#)



[Connectors](#)



www.handsontec.com

[Electro-Mechanical Parts](#)



www.handsontec.com

[Engineering Material](#)



www.handsontec.com

[Mechanical Hardware](#)



[Electronics Components](#)

P



www.handsontec.com

[Power Supply](#)



[Arduino Board & Shield](#)

Tools & Accessory



www.handsontec.com

[Tools & Accessory](#)